

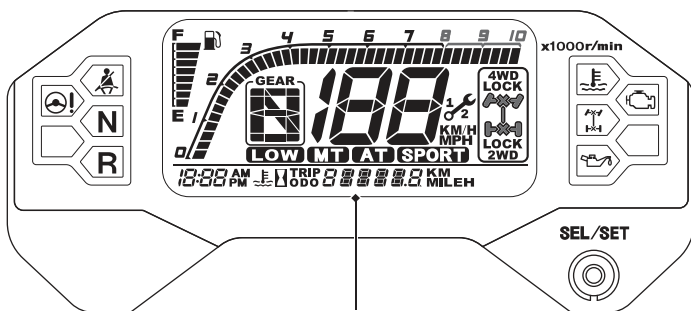
Indicators & Displays

Display Check

When the ignition switch is turned ON (q), the multi-function display will temporarily show all the modes and digital segments and initial message. So, you can make sure the liquid crystal display is functioning properly.

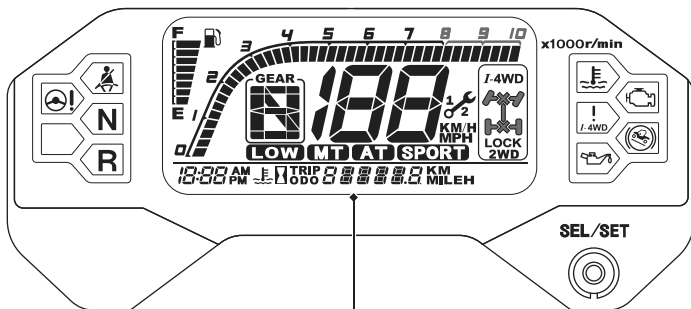
If any part of this display does not come on during the key on check, have your dealer check for problems.

SXS1000M3P/M3D/M5P/M5D



multi-function display

SXS1000M3L/M5L



multi-function display