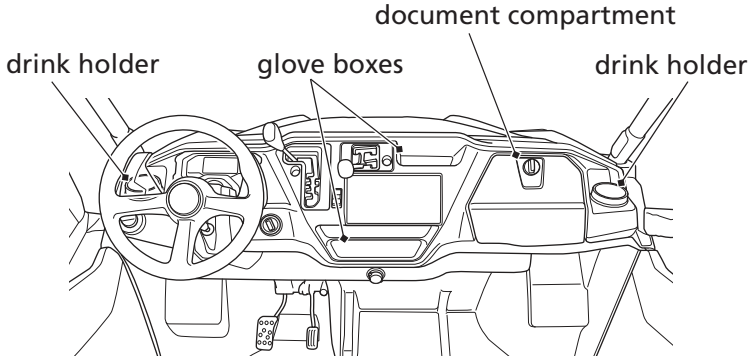


Storage Compartments

(SXS1000M3P/M3D/M5P/M5D)

Your Honda SXS has a document compartment, two glove boxes and two drink holders where you can carry small, lightweight items.



To open the document compartment, turn the knob clockwise. To close the document compartment, turn the knob counterclockwise.

document compartment

