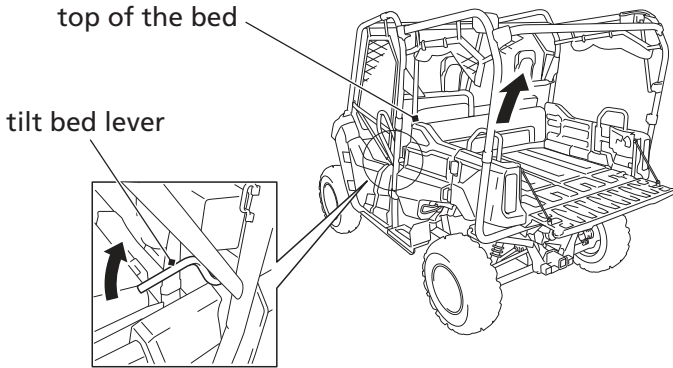


Cargo Bed Controls

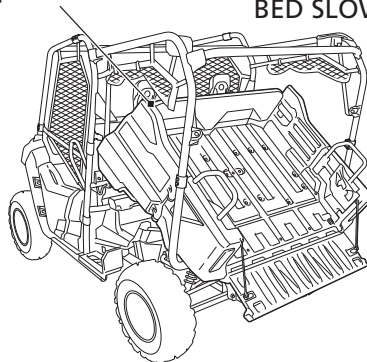
SLOWLY LIFT UP THE CARGO BED.



To lower the cargo bed, make sure that the area under the front of the cargo bed is clear, then manually push down on the top of the bed.

Check that the bed is securely latched.

LOWER THE CARGO BED SLOWLY.



BE SURE IT IS LOCKED INTO PLACE.