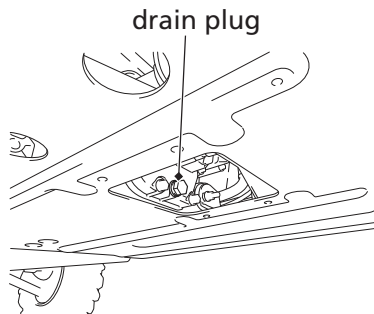
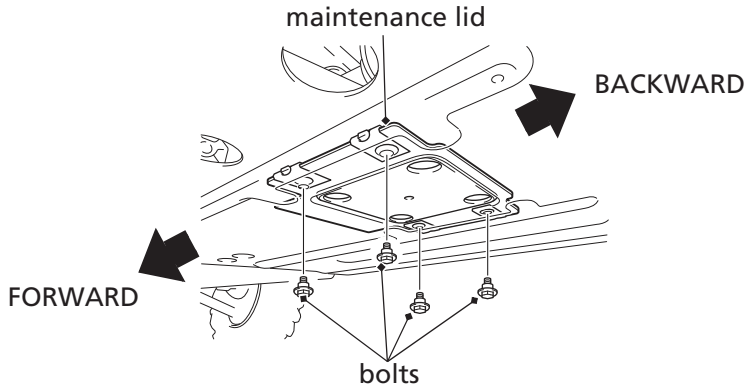


Engine Oil & Filter

4. Remove the maintenance lid by removing the bolts.
5. Place an oil drain pan under the crankcase.
6. Remove the engine oil drain plug.

UNDER BODY



(cont'd)