

# Owner's Manual Storage

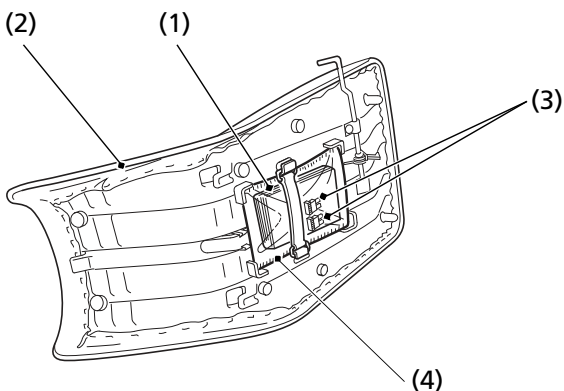
---

Your ATV provides storage for the owner's manual so you'll have it with you for easy reference. Store your owner's manual (1) in the plastic document bag (4) underside of the seat (2).

The owner's manual and spare fuses (3) should be stored in the plastic document bag (4).

Be careful not to flood this area when washing your ATV or riding through water.

## SEAT UNDERSIDE



(1) owner's manual

(3) spare fuses

(2) seat

(4) plastic document bag