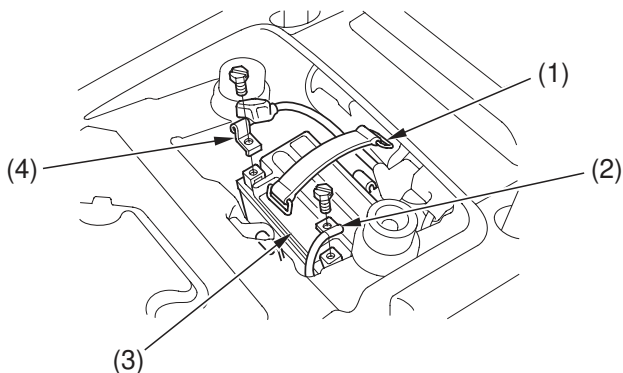


# Battery

---

The battery is located in a compartment under the seat.

## UNDER SEAT



(1) rubber band

(3) battery

(2) negative ( - ) terminal lead

(4) positive ( + ) terminal lead

### Removal

1. Make sure the ignition switch is OFF ( O ).
2. Remove the seat ( page 92 ).
3. Release the rings and remove the rubber band ( 1 ).
4. Disconnect the negative ( - ) terminal lead ( 2 ) from the battery ( 3 ) first, then disconnect the positive ( + ) terminal lead ( 4 ).
5. Remove the battery.