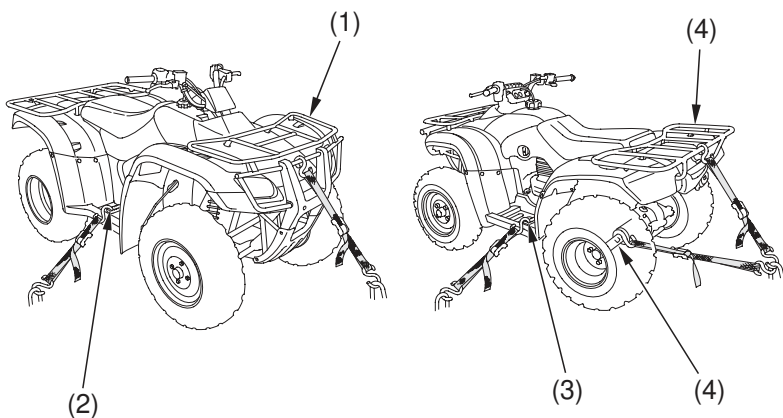


# Transporting Your Honda

---

- Secure the vehicle with tie-down straps in the areas shown.
  - Suitable tie-down straps are available from your Honda dealer.
  - Ordinary rope is not recommended because it can stretch under load.
  - Using tie-down straps in any other areas can damage your ATV.
- Rock the vehicle back and forth to make sure the tie-down straps are tight and the vehicle is secure.



(1) front cargo rack  
(2) right footpeg

(3) left footpeg  
(4) rear cargo rack or rear axle shaft