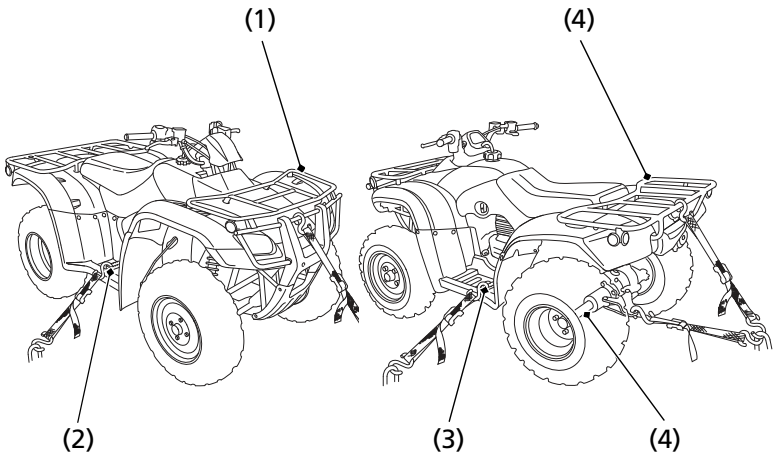


Transporting Your Honda

- Secure the vehicle with tie-down straps in the areas shown.
 - Suitable tie-down straps are available from your dealer.
 - Ordinary rope is not recommended because it can stretch under load.
 - Using tie-down straps in any other areas can damage your ATV.
- Rock the vehicle back and forth to make sure the tie-down straps are tight and the vehicle is secure.



- | | |
|----------------------|--|
| (1) front cargo rack | (3) left footpeg |
| (2) right footpeg | (4) rear cargo rack or rear axle shaft |