

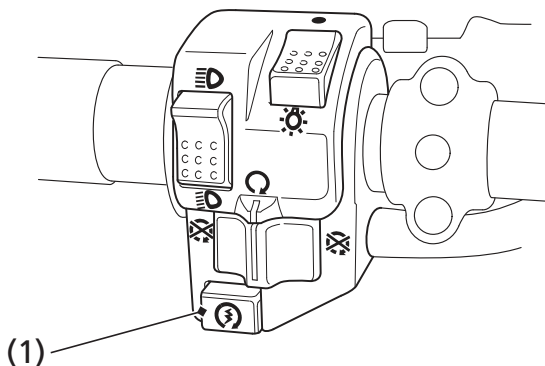
# Starting & Stopping the Engine

---

3. Warm up the engine by opening and closing the throttle slightly.
4. About 5 seconds after the engine starts, push the choke knob down all the way to fully OFF (B).
5. If idling is unstable, open the throttle slightly.

High Air Temperature 35°C (95°F) or above

## LEFT HANDLEBAR



(1) start button

1. Do not use the choke.
2. With the throttle slightly open, press the start button (1).