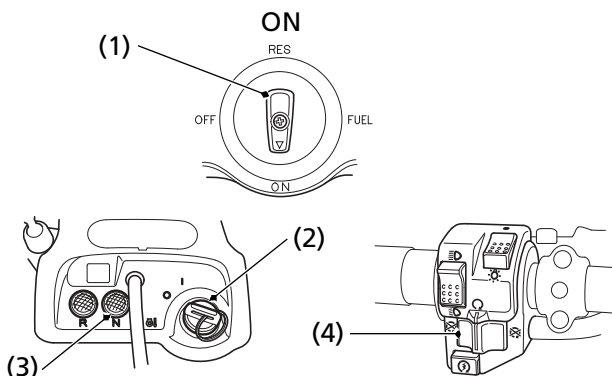


# Starting & Stopping the Engine

## Preparation



(1) fuel valve

(2) ignition switch

(3) neutral indicator

(4) engine stop switch

1. Before starting, select a level surface and lock the parking brake (page 23).
2. Turn the fuel valve (1) to ON and turn the ignition switch (2) to ON (q).

Confirm the following:

- The transmission is in neutral, and the neutral indicator (3) is ON.
- The engine stop switch (4) is set to RUN (e ).

(cont'd)