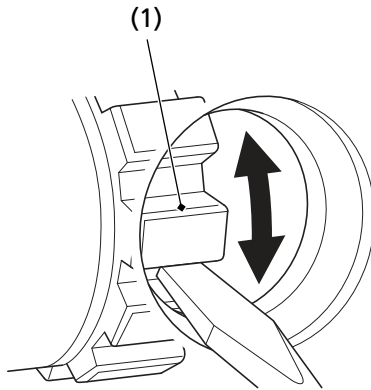


# Brakes

---

## To adjust the brake lining clearance:

1. Squeeze the brake lever firmly two or three times, then release it.
2. Raise the front and rear wheels off the ground by placing a support block under the vehicle.
3. Beginning with either the left or right front wheel, remove the inspection hole plug and line up the hole with one of the brake adjusters.
4. Using a screwdriver, turn the brake shoe adjuster (1) until the front brake locks.



(1) brake shoe adjuster

(cont'd)