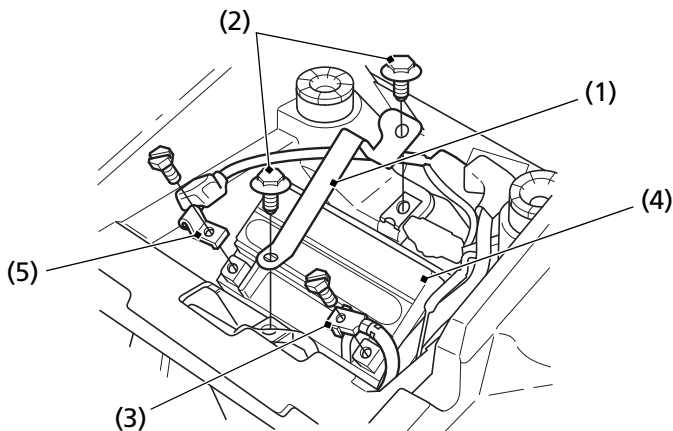


Battery

The battery is located in a compartment under the seat.

UNDER SEAT



(1) battery holder

(2) mount bolts

(3) negative (-) terminal lead

(4) battery

(5) positive (+) terminal lead

Removal

1. Make sure the ignition switch is OFF (O).
2. Remove the seat ([page 86](#)).
3. Remove the battery holder (1) by removing the mount bolts (2).
4. Disconnect the negative (-) terminal lead (3) from the battery (4) first, then disconnect the positive (+) terminal lead (5).
5. Remove the battery.