

# Rear Final Gear Oil

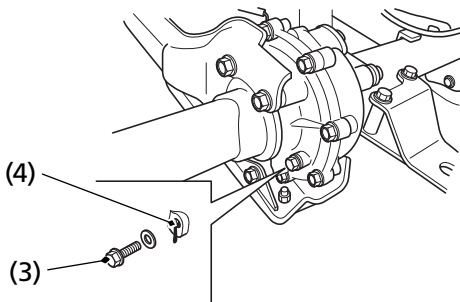
---

6. Slowly fill the rear final gear with the recommended oil until oil start to flow out of the oil level check hole (4). Allow oil to settle for 2 – 3 minutes before moving to next step to prevent overfilling.  
**2.9 US oz (85 cm<sup>3</sup>)**
7. Coat a new O-ring with grease and install it into the fill cap groove and tighten it to the specified torque:  
**9 lbf·ft (12 N·m , 1.2 kgf·m)**
8. Install the oil level check bolt with a new sealing washer and tighten it to the specified torque:  
**9 lbf·ft (12 N·m , 1.2 kgf·m)**
9. Pour the drained oil into a suitable container and dispose of it in an approved manner (page 204).

## NOTICE

*Improper disposal of drained fluids is harmful to the environment.*

### REAR



- (3) oil level check bolt  
(4) oil level check hole