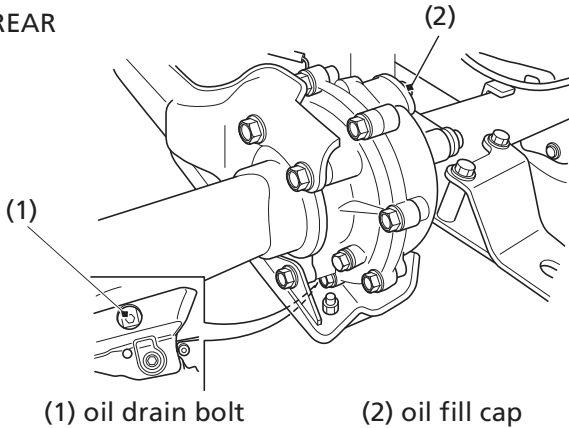


Rear Final Gear Oil

1. Park your ATV on a firm, level surface.

REAR



2. Place an oil drain pan under the oil drain bolt (1).
3. Remove the oil fill cap (2), O-ring, drain bolt and sealing washer.
4. After the oil has completely drained, reinstall the drain bolt with a new sealing washer and tighten it to the specified torque:
9 lbf·ft (12 N·m , 1.2 kgf·m)
5. Remove the oil level check bolt (3) and sealing washer.

(cont'd)