

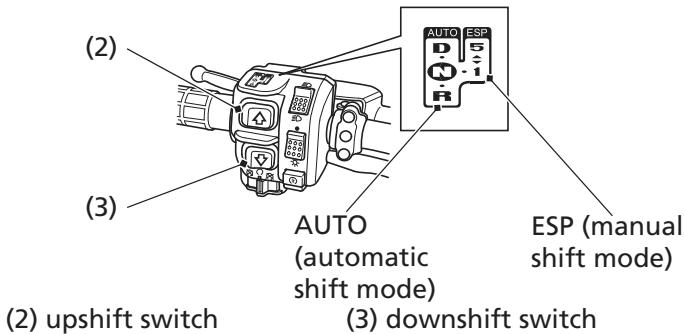
# Shifting Gears

To select a forward gear (D or 1) from neutral (N), press the upshift switch (2) once.

- In AUTO (automatic shift mode) the gear position indicator shows "D"
- In ESP (manual shift mode) the gear position indicator shows "1"

To select reverse (R) from neutral (N), use the P/R lever and press the downshift switch (3) once. See *Riding in Reverse* ([page 85](#)).

## LEFT HANDLEBAR



Driving in AUTO (automatic shift mode):

After starting the engine and letting it warm up, follow these procedures:

1. With the transmission in neutral, release the parking brake ([page 44](#)), but continue to squeeze the rear brake lever/parking brake lever.
2. With the throttle closed, select the AUTO (automatic shift mode), and then press the upshift switch once to shift into drive (D).
3. The gear position indicator shows "D".
4. Release the rear brake lever/parking brake lever and increase engine speed by gradually opening the throttle.