

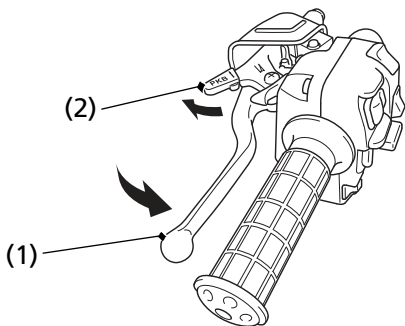
Controls & Features

To apply the parking brake:

Bring the vehicle to a complete stop, make sure the transmission is in neutral.

Squeeze the rear brake lever/parking brake lever (1), then rotate the parking brake lock lever (2) clockwise until it engages the slot on the rear brake lever/parking brake lever bracket.

For more information on *Parking*, see page 105.



- (1) rear brake lever/parking brake lever
- (2) parking brake lock lever

To release the parking brake:

Squeeze the rear brake lever/parking brake lever until the parking brake lock lever is released from the slot on the rear brake lever/parking brake lever bracket.

The brake light is activated by applying the parking brake. When using the parking brake, be sure to turn the ignition switch to OFF (w) to avoid discharging the battery.