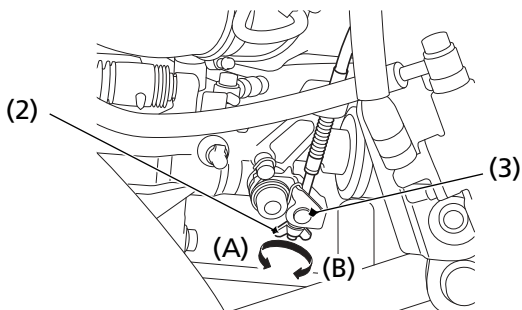


Brakes

Adjustment

RIGHT REAR



- | | |
|-------------------------------|-----------------------|
| (2) brake lever adjusting nut | (A) increase freeplay |
| (3) brake arm pin | (B) decrease freeplay |

Turn the brake lever adjusting nut (2), located on the brake operating rod at the brake caliper. Make sure the cutout on the adjusting nut is properly seated on the brake arm pin (3).

Other Inspections

- Check that the brake lever and brake pedal assemblies are positioned properly and the securing bolts are tight.
- Make sure that the brake cables, brake arm, spring, parking brake lever, and fasteners are in good condition.