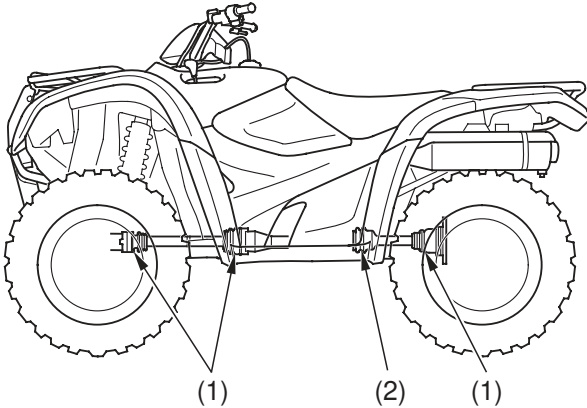


Drivetrain Boots

Propeller Shaft Boots & Yoke Joint Boot

Refer to *Safety Precautions* on page 95.



- (1) rubber propeller shaft boots
- (2) rubber yoke joint boot

Check the rubber propeller shaft boots (1) and rubber yoke joint boot (2) for cuts, damage or leaking grease. If necessary, have your dealer replace them.