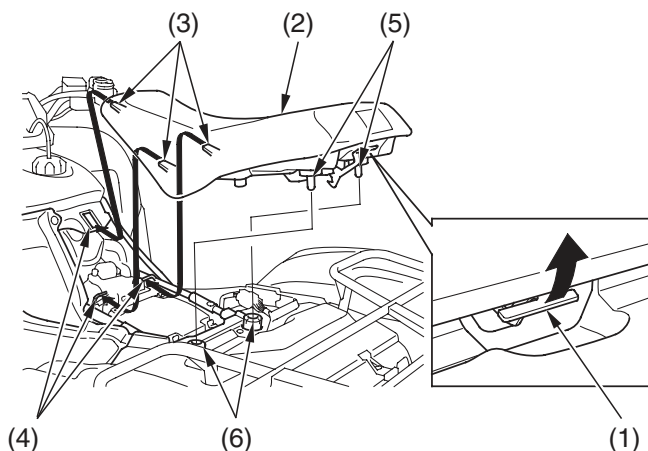


Seat Removal

Refer to *Safety Precautions* on page 95 .

The seat must be removed for the air cleaner, engine oil, engine oil filter, spark plug, battery and fuse maintenance and to remove the side covers, rear fender cover and left tank side cover, to access the owner's manual, air pressure gauge, coolant reserve tank cap and color label.



(1) seat latch

(2) seat

(3) front prongs

(4) hooks

(5) studs

(6) grommets

Removal

1. Pull the seat latch (1) at the rear of the seat.
2. Slide the seat (2) back and lift it.

Installation

1. Insert the front prongs (3) into the hooks (4) on the frame and press the studs (5) into the grommets (6).
2. Press down on the seat until locks.