

# Differential Oil (Except TRX420TE)

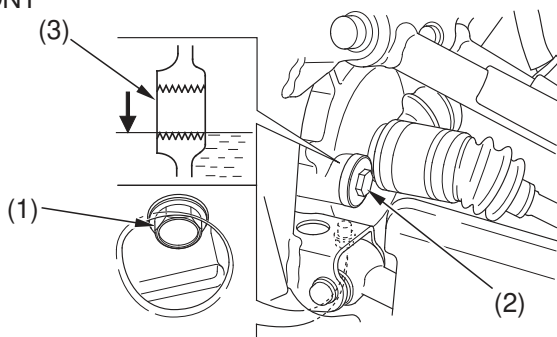
1. Park the ATV on level ground.
2. Place an oil drain pan under the oil drain plug (1).
3. Remove the oil fill cap (2) and the drain plug.  
Check that the drain plug sealing washer is in good condition. If necessary, replace the sealing washer.
4. After the oil has completely drained, reinstall the drain plug and tighten it to the specified torque:  
**9 lbf·ft (12 N·m , 1.2 kgf·m)**
5. Pour the drained oil into a suitable container and dispose of it in an approved manner (page 182).

## NOTICE

*Improper disposal of drained fluids is harmful to the environment.*

6. Fill the differential with the recommended oil.  
**7.8 US oz (230 cm<sup>3</sup>)**  
Make sure the oil level is at the lower edge of the oil fill inspection hole (3).
7. Install the oil fill cap.

FRONT



- (1) oil drain plug  
(2) oil fill cap

- (3) oil fill inspection hole