

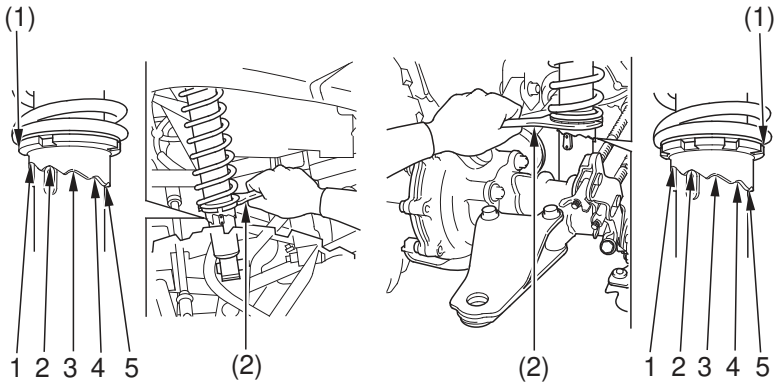
Suspension

Suspension Spring Pre-Load (Except TRX420TE)

Refer to *Safety Precautions* on page 89 .

FRONT

REAR



(1) spring pre-load adjuster

(2) pin spanner

The spring pre-load adjuster (1) has 5 positions for different load or riding conditions.

Use the pin spanner (2) to adjust the shock spring pre-load.