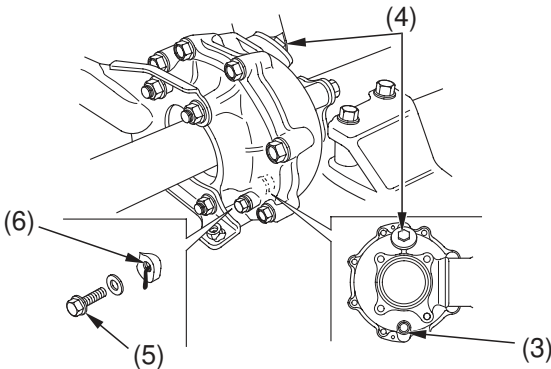


Gear Case Oil

8. Slowly fill the gear case with the recommended oil until oil start to flow out of the oil level check hole (6). Allow oil to settle for 2–3 minutes before moving to next step to prevent overfilling.
2.5 US oz (75 cm³)
9. Install the oil fill cap and tighten it to the specified torque:
9 lbf·ft (12 N·m , 1.2 kgf·m)
10. Install the oil level check bolt with the new sealing washer and tighten it to the specified torque:
9 lbf·ft (12 N·m , 1.2 kgf·m)
11. Install the skid plate and new skid plate bolts. Tighten them to the specified torque:
24 lbf·ft (32 N·m , 3.3 kgf·m)

REAR



(3) oil drain bolt
(4) oil fill cap

(5) oil level check bolt
(6) oil level check hole