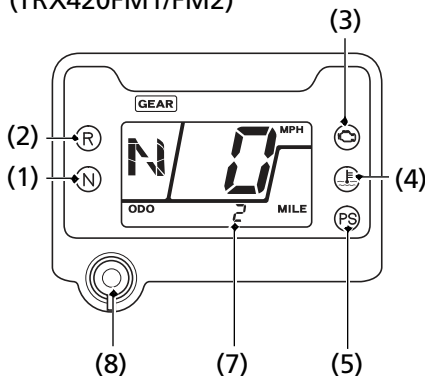


Indicators & Displays

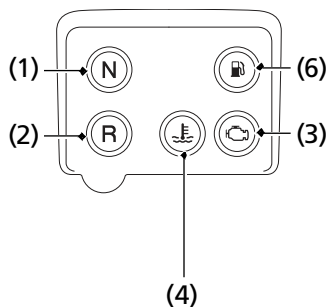
The indicators and displays on your ATV keep you informed, alert you to possible problems, and make your riding safer and more enjoyable. Refer to the indicators frequently. Their functions are described on the following pages.

(TRX420FM1/FM2)



- (1) neutral indicator
- (2) reverse indicator
- (3) PGM-FI indicator
- (4) high coolant temperature indicator
- (5) PS (Electric Power Steering) indicator (TRX420FM2 only)

(TRX420TM1)



- (6) fuel warning indicator (TRX420TM1 only)
- (7) multi-function display (Except TRX420TM1)
- (8) mode button (Except TRX420TM1)