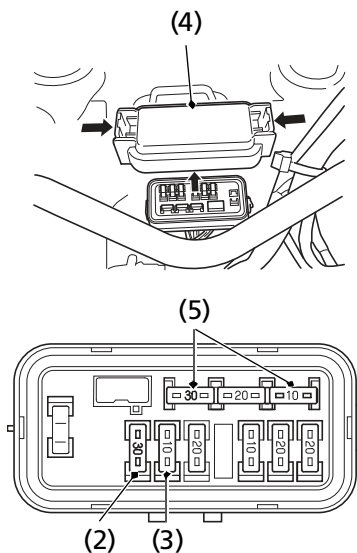


If a Fuse Blows

Main Fuses Access

1. To prevent an accidental short circuit, turn the ignition switch to OFF (w) before checking or replacing the fuses.
2. Remove the seat (page 114).
3. Remove the rear fender cover (page 117).
4. To access the main fuse (2) (3), remove the fuse box cover (4).

UNDER REAR FENDER COVER



- (2) main fuse 1
(3) main fuse 2

- (4) fuse box cover
(5) spare fuses

5. Pull the main fuse out with the fuse puller on the underside of the rear fender cover (page 113).
If it is blown, install the spare fuses (5).