

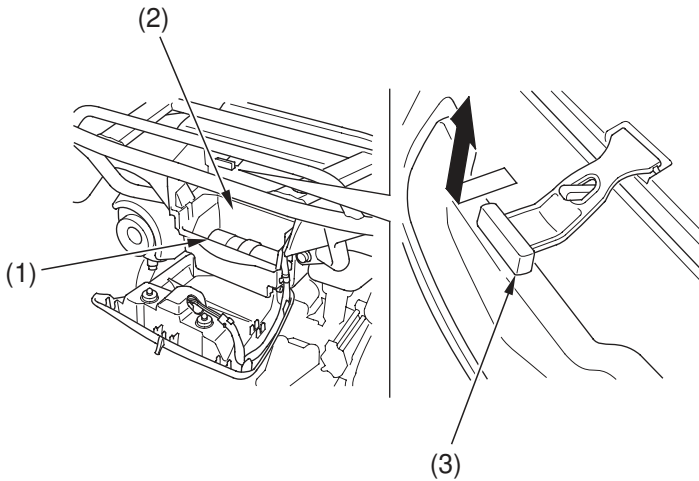
Tool Kit

The tool kit (1) is stored in the storage compartment (2) below the rear cargo rack.

To open the compartment, unhook the rubber strap (3).

An optional, larger tool kit may be available. Check with your dealer's parts department.

REAR



(1) tool kit
(2) storage compartment

(3) rubber strap