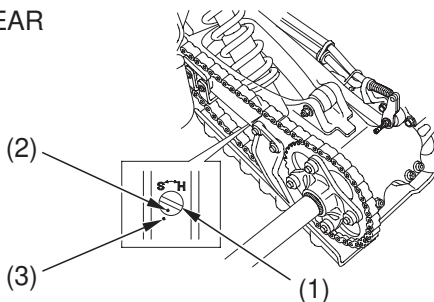


## Rear Suspension Damping

Refer to *Safety Precautions* on page 73 .

### Rebound Damping

#### LEFT REAR



- (1) rebound damping adjuster    (3) reference punch mark  
(2) punch mark

*To adjust to the standard position:*

1. Turn the rebound damping adjuster (1) clockwise until it will no longer turn (lightly seats). This is the full hard setting.
2. Turn the adjuster counterclockwise approximately  $1 \frac{6}{8}$  turns so that the punch mark (2) on the adjuster aligns with the reference punch mark (3). This is the standard position.

*To Reduce Rebound Damping (SOFT):*

For a light load and smooth road conditions, turn the adjuster counterclockwise toward SOFT (S).

*To Increase Rebound Damping (HARD):*

For a firmer ride and rough road conditions, turn the adjuster clockwise toward HARD (H).