

# Brakes

---

## Fluid Level Inspection

Refer to *Safety Precautions* on page 73 .

If your inspection indicates a low fluid level, have your dealer add the recommended fluid.

Do not add or replace brake fluid, except in an emergency. If you do add fluid, have your dealer check the system as soon as possible.

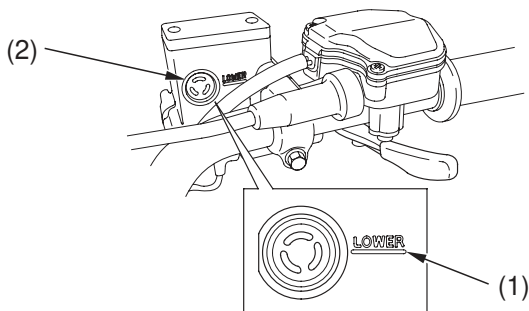
### NOTICE

*Brake fluid can damage plastic and painted surfaces. Handle with care.*

Wipe up spills immediately. Avoid brake fluid contact with skin or eyes. If it comes in contact with your eyes, wash them out with clean water and immediately call a doctor. If it comes in contact with your skin, wash with clean water and, if necessary, call a doctor.

### Front Brake Fluid Level

#### RIGHT HANDLEBAR



(1) LOWER level mark

(2) inspection window