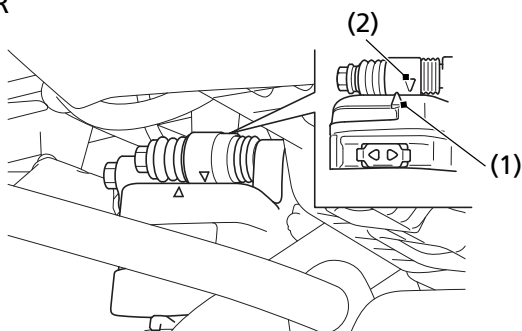


RIGHT REAR



(1) wear indicator

(2) reference mark

Check the wear indicator (1). If the wear indicator aligns with the reference mark (2), both pads must be replaced, see your dealer for this replacement.