

# Engine Oil & Filter

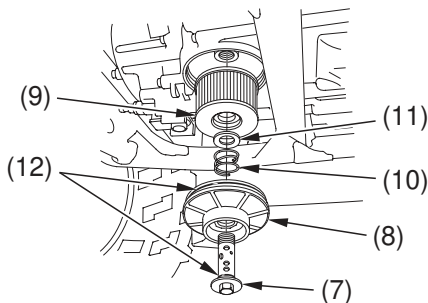
---

- Remove the oil filter bolt (7) and oil filter cover (8).  
Let the remaining oil drain out.
- Remove the oil filter (9) from the cover.
- Remove the spring (10) and washer (11). Do not discard the washer with the old oil filter.
- Discard the oil filter in an approved manner (page 196).
- Coat new O-rings (12) with engine oil and install them into the grooves in the oil filter cover and oil filter bolt. Install a new oil filter. Use only the Honda Genuine oil filter or a filter of equivalent quality specified for your model. Using the wrong Honda filter or a non-Honda filter which is not of equivalent quality may cause engine damage.
- Install the washer, spring, oil filter cover and oil filter bolt. Tighten the oil filter bolt to the specified torque.  
Oil filter bolt torque:  
13 lbf·ft (18 N·m , 1.8 kgf·m)

## NOTICE

*Improper installation of the oil filter can cause serious engine damage.*

## UNDER ENGINE



- |                      |                |              |
|----------------------|----------------|--------------|
| (7) oil filter bolt  | (9) oil filter | (11) washer  |
| (8) oil filter cover | (10) spring    | (12) O-rings |

(cont'd)