

Front Final Gear Oil

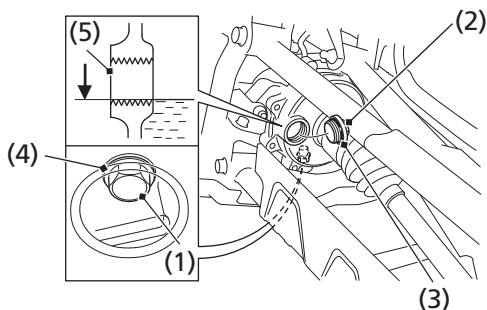
1. Park your ATV on a firm, level surface.
2. Place an oil drain pan under the oil drain bolt (1).
3. Remove the oil fill cap (2), O-ring (3), drain bolt and sealing washer (4).
4. After the oil has completely drained, reinstall the drain bolt with a new sealing washer and tighten it to the specified torque:
9 lbf·ft (12 N·m, 1.2 kgf·m)
5. Pour the drained oil into a suitable container and dispose of it in an approved manner ([page 210](#)).

NOTICE

Improper disposal of drained fluids is harmful to the environment.

6. Fill the front final gear case with the recommended oil.
11.0 US oz (325 cm³)
Make sure the oil level is at the lower edge of the oil fill inspection hole (5).
7. Coat a new O-ring with grease and install it into the fill cap groove and tighten it to the specified torque:
9 lbf·ft (12 N·m, 1.2 kgf·m)

FRONT



(1) oil drain bolt

(2) oil fill cap

(3) O-ring

(4) sealing washer

(5) oil fill inspection hole