

Owner's Manual Storage

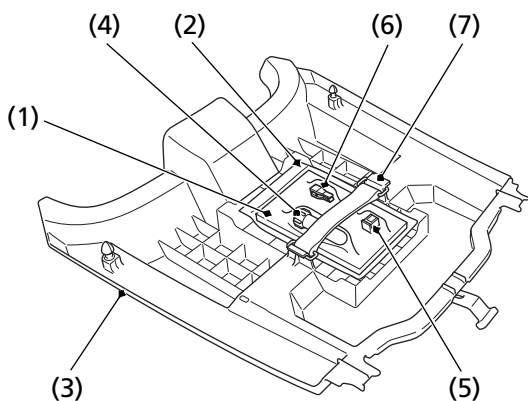
Your ATV provides storage for the owner's manual so you'll have it with you for easy reference. Store your owner's manual (1) in the plastic document bag (2) underside of the rear fender cover (3).

The owner's manual, air pressure gauge (4), 40 A spare fuse (5) and fuse puller (6) should be stored in the plastic document bag and fastened with the rubber band (7).

To remove the rear fender cover, see page 127.

Be careful not to flood this area when washing your ATV.

REAR FENDER COVER UNDERSIDE



- (1) owner's manual
- (2) plastic document bag
- (3) rear fender cover

- (4) air pressure gauge
- (5) 40 A spare fuse
- (6) fuse puller
- (7) rubber band