

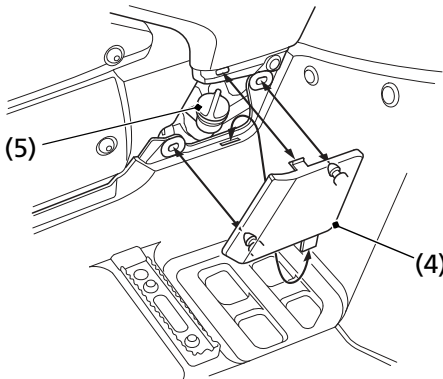
Engine Oil & Filter

5. If required, remove the oil fill cap lid (4) and oil fill cap (5) and add the specified oil into the fill cap hole, up to the upper level mark on the dipstick. Do not overfill.
6. Reinstall the oil fill cap, oil fill cap lid and dipstick.

NOTICE

Running the engine with an improper oil level can cause serious engine damage.

LEFT SIDE



(4) oil fill cap lid

(5) oil fill cap