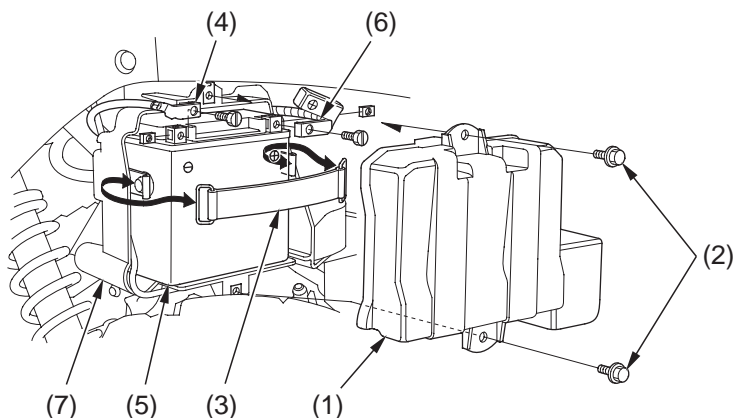


Battery

The battery is located under the rear fender.

REAR FENDER



- | | |
|--------------------------------|--------------------------------|
| (1) battery cover | (5) battery |
| (2) bolts | (6) positive (+) terminal lead |
| (3) rubber band | (7) battery box |
| (4) negative (-) terminal lead | |

Removal

1. Make sure the ignition switch is OFF (\circ).
2. Remove the battery cover (1) by removing the bolts (2).
3. Release the rings and remove the rubber band (3).
4. Disconnect the negative (-) terminal lead (4) from the battery (5) first, then disconnect the positive (+) terminal lead (6).

(cont'd)