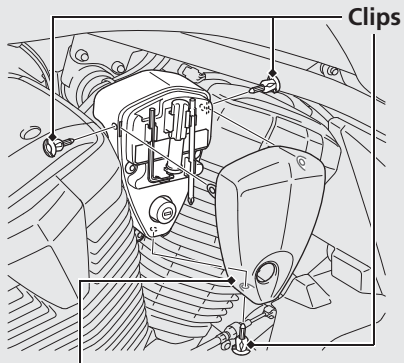


The tool kit is stored on the face of the ignition switch case behind the ignition switch cover.



### Ignition switch cover

- 1 Remove the clips. ➔ P.52
- 2 Remove the ignition switch cover.