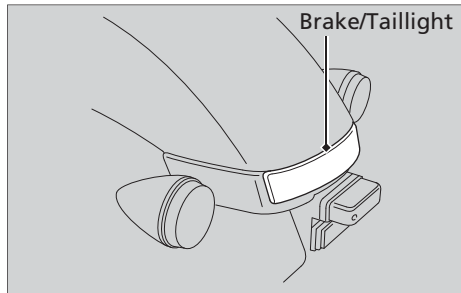
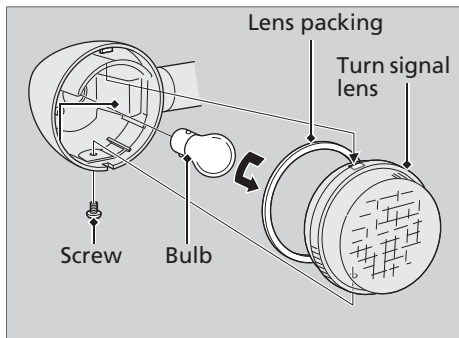


Brake/Taillight Bulb



The brake and tail light uses several LEDs. If there is a LED which is not turned on, see your dealer for this service.

Front/Rear Turn Signal Bulb



1. Remove the turn signal lens and lens packing by removing the screw.
2. Slightly press the bulb and turn it counterclockwise.
3. Install a new bulb in the reverse order of removal.