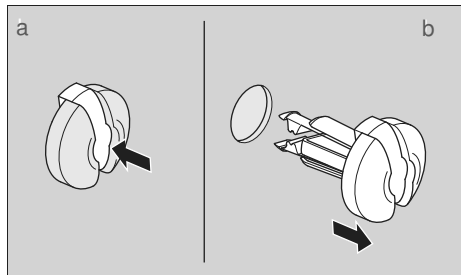


Clip

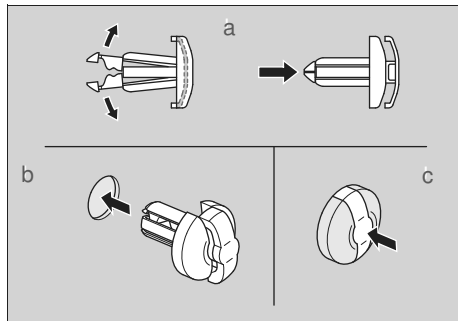
The clip must be removed to remove the ignition switch cover.

Removal



1. Press down on the center pin to release the lock.
2. Pull the clip out of the hole.

Installation



1. Slightly open the retaining pawls and then push them out.
2. Insert the clip into the hole.
3. Press down on the center pin to lock the clip.