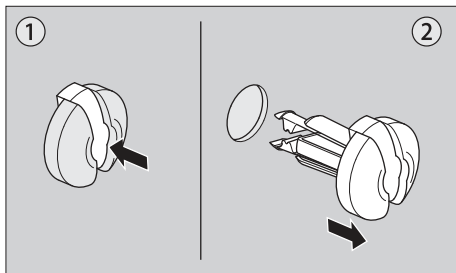


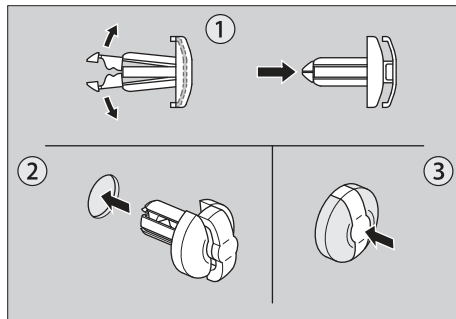
## Clip

### Removal



1. Press down on the center pin to release the lock.
2. Pull the clip out of the hole.

### Installation



1. Slightly open the retaining pawls and then push them out.
2. Insert the clip into the hole.
3. Press down on the center pin to lock the clip.