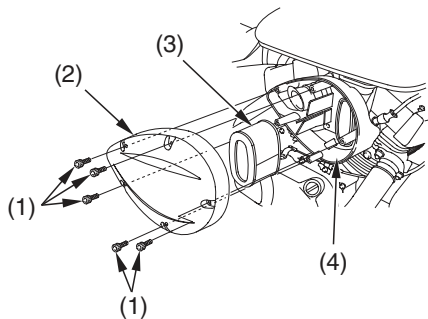


# Air Cleaner

## Replacement

1. Remove the bolts (1) and air cleaner housing cover (2).
2. Remove the air cleaner (3).
3. Discard the air cleaner.  
Thoroughly clean the inside of the air cleaner case (4).
4. Install a new air cleaner.
5. Install the removed parts in reverse order of removal.

### RIGHT SIDE



- |                               |                      |
|-------------------------------|----------------------|
| (1) bolts                     | (3) air cleaner      |
| (2) air cleaner housing cover | (4) air cleaner case |