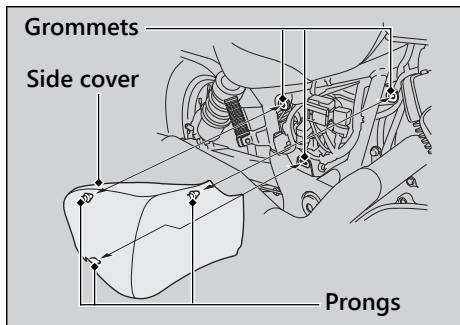


## Side Cover



The right and left side covers can be removed in the same way.

### ■ Removal

1. Grasp the side cover.
2. Remove the prongs from the grommets.
3. Remove the side cover.

### ■ Installation

Install the parts in the reverse order of removal.