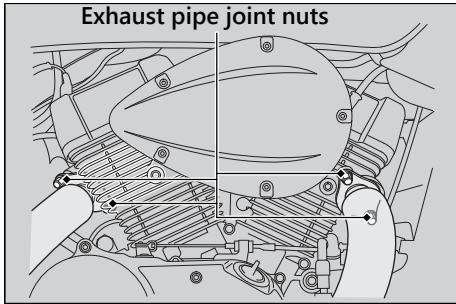


3. Remove the exhaust pipe joint nuts.



4. Remove the muffler bracket bolts and nuts, washers.
5. Remove the mufflers.

