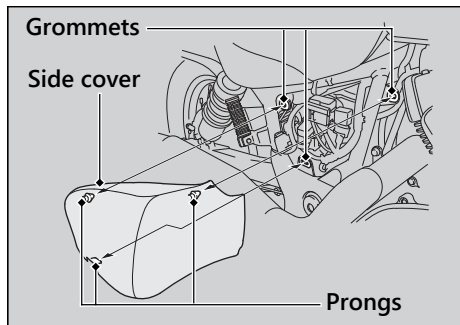


Side Cover



The right and left side covers can be removed in the same way.

Removal

1. Grasp the side cover.
2. Remove the prongs from the grommets.
3. Remove the side cover.

Installation

Install the parts in the reverse order of removal.