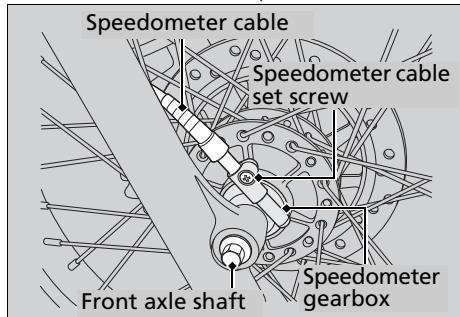


Front Wheel

Removal

Except XL125LEK

1. Place your motorcycle on its side stand on a firm, level surface.
2. Support your motorcycle securely and raise the front wheel off the ground using a maintenance stand or a hoist.
3. Remove the speedometer cable set screw and disconnect the speedometer cable.
4. Remove the rubber cap and front axle nut.



5. Remove the front axle shaft, front wheel, side collar and speedometer gearbox.
 - Avoid getting grease, oil, or dirt on the disc or pad surfaces.
 - Do not pull the brake lever while the front wheel is removed.

