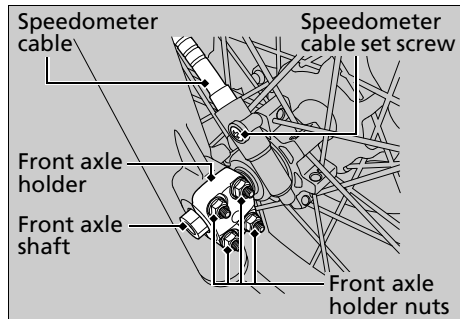


## Front Wheel

### Removal

1. Park on a firm, level surface.
2. Support your motorcycle securely and raise the front wheel off the ground using a maintenance stand or a hoist.
3. Remove the speedometer cable set screw and disconnect the speedometer cable.
4. Remove the front axle holder nuts and the front axle holder.
5. Remove the front axle shaft, front wheel, side collar and speedometer gearbox.
  - Avoid getting grease, oil, or dirt on the disc or pad surfaces.
  - Do not pull the brake lever while the front wheel is removed.



### Installation

1. Attach the side collar and speedometer gearbox to the wheel.
2. Position the wheel between the fork legs and insert the front axle shaft from the right side, through the wheel hub and left fork leg.