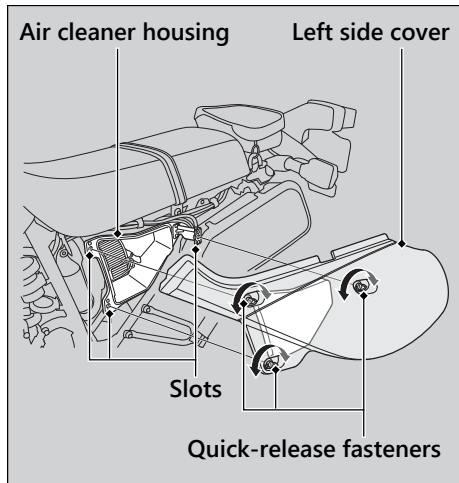


Left Side Cover



Removal

1. Lift the D-ring on each quick-release fastener and turn it counterclockwise until it releases.
2. Remove the left side cover.

Installation

1. Align the left side cover with the air cleaner housing.
2. Push each quick-release fastener into its slot, lift its D-ring, and turn it clockwise until it is secure.