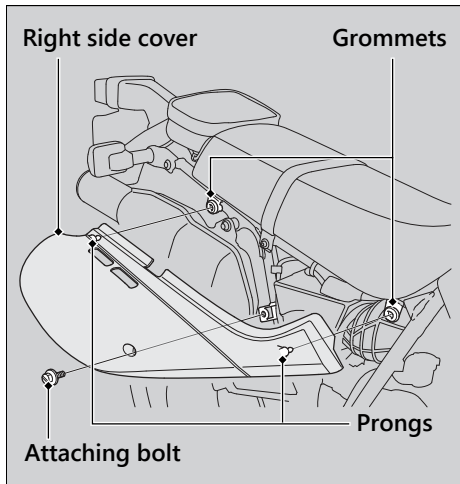


Right Side Cover



Removal

1. Remove the attaching bolt.
2. Pull the right side cover out.

Installation

1. Position the right side cover so the prongs are aligned with the frame grommets.
2. Push both prongs in.
3. Install the attaching bolt and tighten it.