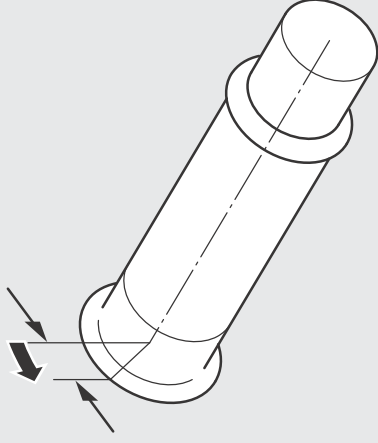


If you cannot start the engine:

Open the throttle slightly (about 3 mm, without freeplay).

About 3 mm, without freeplay



- ⑤ If the engine starts, open the throttle slightly if idling is unstable.
- ⑥ If the engine does not start, wait 10 seconds before trying steps ①-④ again.

! If Engine Will Not Start 

If the engine does not start:

- ① Turn the ignition switch to the OFF position.
- ② Open the throttle fully.
- ③ Crank the engine several times with the kickstarter.
- ④ Follow step 1 under "Warm Engine."