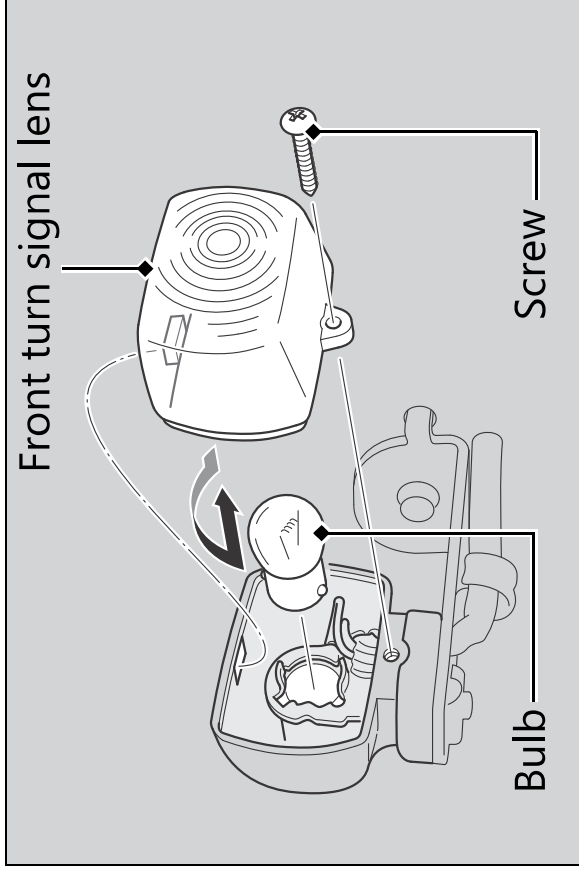
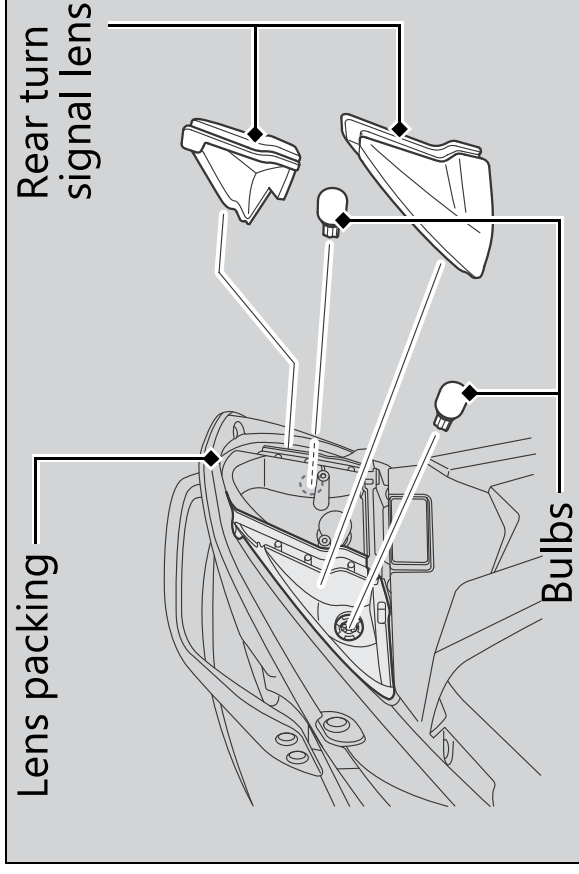


Front Turn Signal Bulb



1. Remove the front turn signal lens by removing the screw.
2. Slightly press the bulb in and turn it counterclockwise.
3. Install a new bulb and parts in the reverse order of removal.
 - Use only the amber bulb.

Rear Turn Signal Bulb



1. Remove the brakelight/taillight lens.
 - P. 84
2. Remove the rear turn signal lens.
3. Pull out the bulbs without turning.
4. Install a new bulb and parts in the reverse order of removal.
 - After putting back the lens packing in place, install the rear turning signal lens, the license lens and the brakelight/taillight lens.
 - Use only the amber bulb.