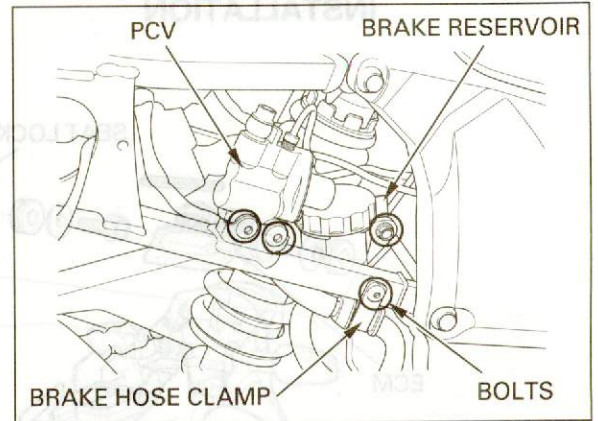


## SEAT RAIL

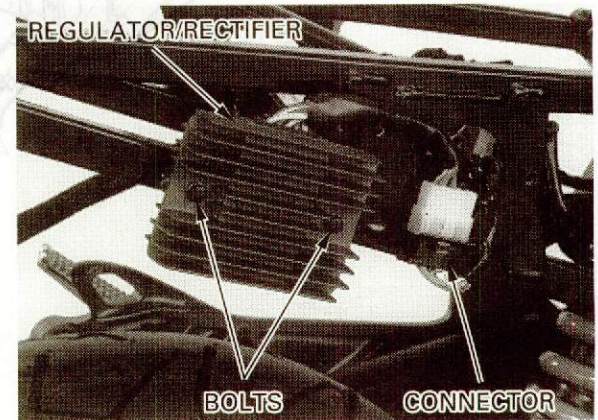
### REMOVAL

Remove the rear fender (page 2-5).

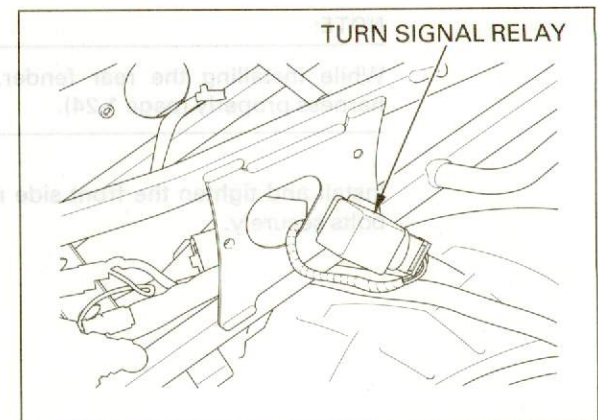
Remove the rear brake hose clamp bolt.  
Remove the PCV (Proportional Control Valve) mounting bolts.  
Remove the rear brake reservoir mounting bolt.



Disconnect the regulator/rectifier 6P (Black) connector.  
Remove the bolts and regulator/rectifier.



Remove the turn signal relay from the seat rail bracket.



Remove the seat rail mounting bolts, nuts and seat rail.

