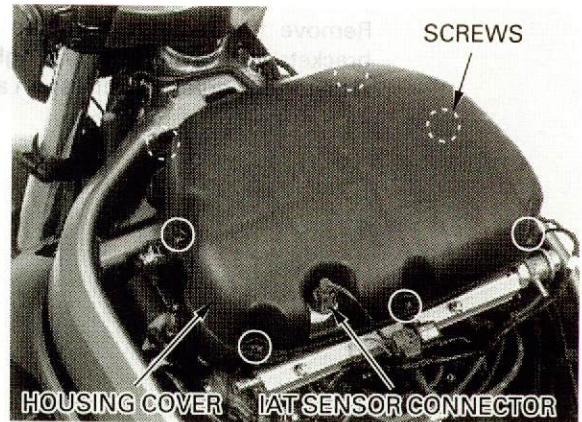


Disconnect the IAT (Intake Air Temperature) sensor connector.

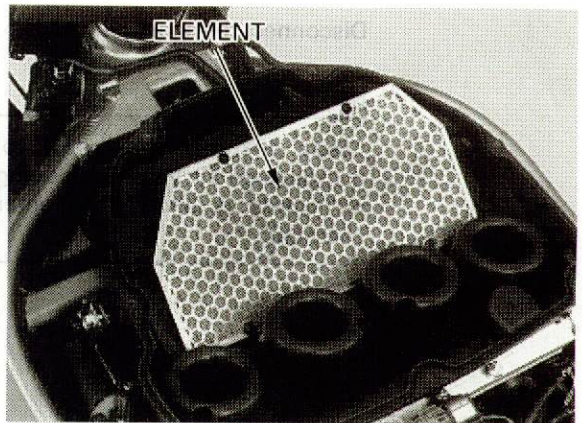
Remove the screws and air cleaner housing cover.



Remove and discard the air cleaner element in accordance with the maintenance schedule (page 3-3).

Also replace the air cleaner element any time it is excessively dirty or damage.

Install the removed parts in the reverse order of removal.



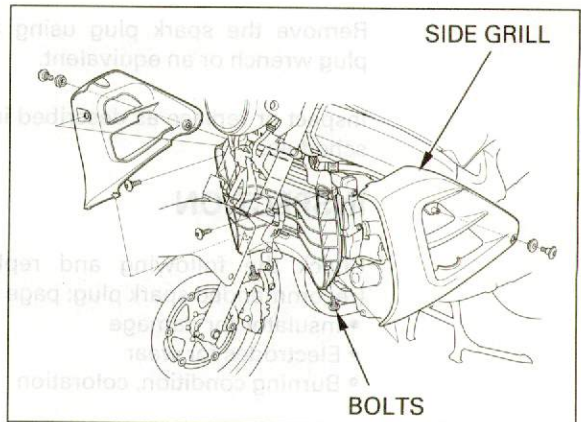
SPARK PLUG

REMOVAL

CAUTION:

Be careful not to damage the oil cooler and radiator fins.

Remove the radiator grill/side grill mounting bolts and then remove both side grill.



Disconnect the fan motor sub-harness 2P (Natural) connector.

Remove the radiator mounting socket bolt and washer.

