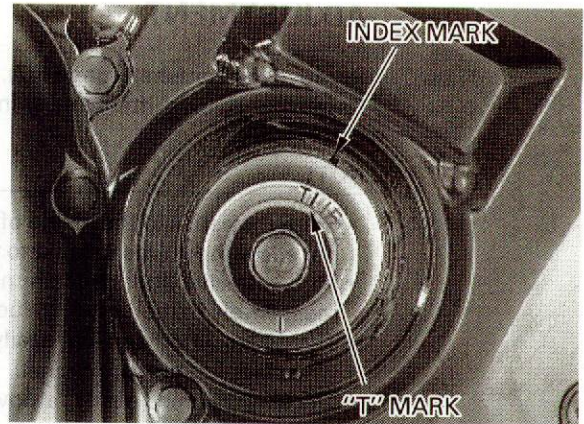


Turn the crankshaft clockwise 1/2 turn (180°), align the "T" mark on the ignition pulse generator rotor with the index mark on the ignition pulse generator rotor cover.

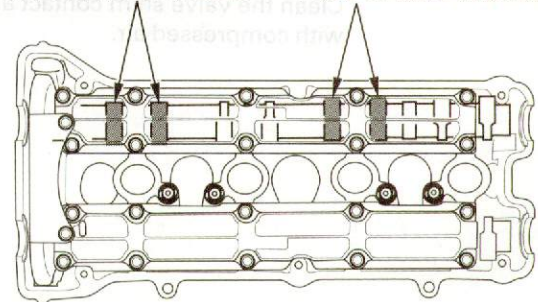


Record the clearance for each valve for reference in shim selection if adjustment is required.

Check the valve clearance for the No. 2 and No. 4 cylinder intake valves using feeler gauge.

VALVE CLEARANCE:
IN: 0.16 ± 0.03 mm (0.006 ± 0.001 in)

No. 4 INTAKE VALVES No. 2 INTAKE VALVES



Turn the crankshaft clockwise 1/2 turn (180°), align the index line on the ignition pulse generator rotor so that it is facing up as shown.



Record the clearance for each valve for reference in shim selection if adjustment is required.

Check the valve clearance for the No. 1 and No. 3 cylinder exhaust valves using a feeler gauge.

VALVE CLEARANCE:
EX: 0.22 ± 0.03 mm (0.009 ± 0.001 in)

